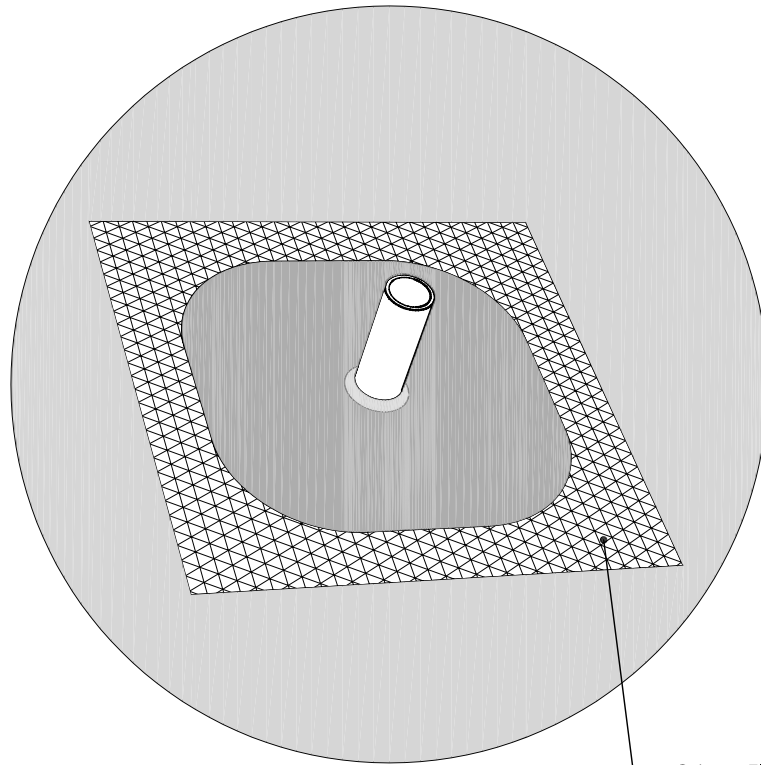


FLOOR PIPE AND CONDUIT COLLAR



Gripset Elastoproof collar edge
embedded between coats of
Gripset membrane to specification

Gripset Elastoproof collar edge
embedded between coats of
Gripset membrane to specification

