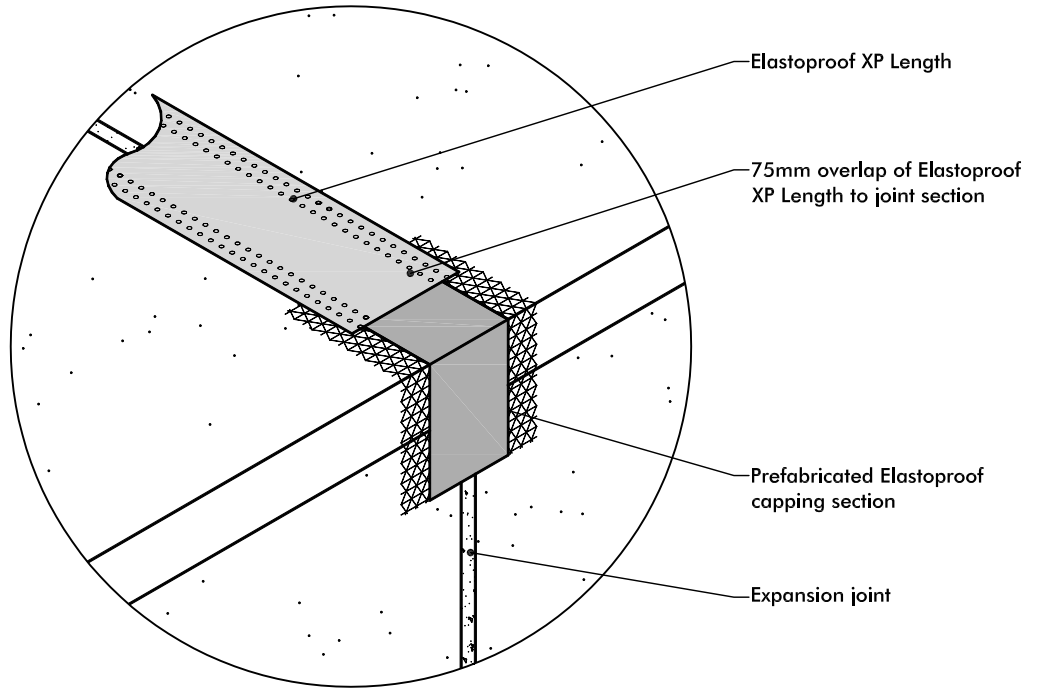
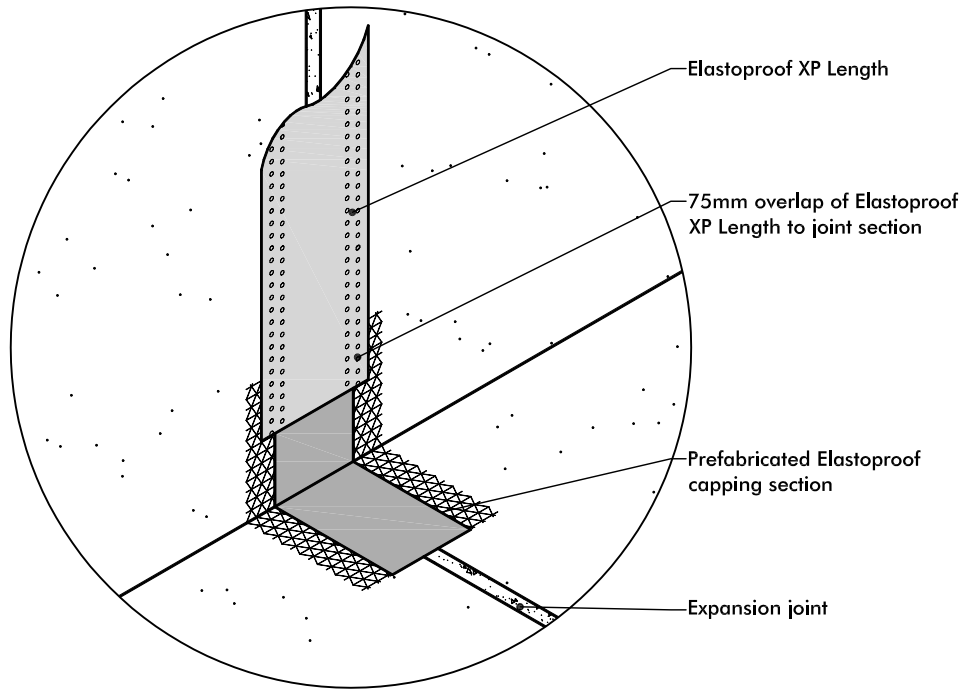


PREFABRICATED CAPPING SECTIONS



PREFABRICATED ELASTOPROOF EXTERNAL CAPPING SECTION



PREFABRICATED ELASTOPROOF INTERNAL CAPPING SECTION